





# Chart Trolleys Workstations Room Dividers & Screens

Fixed Height Trolleys	82
Fixed Height Workstations	84
Variable Height Workstations	86
Chart Boards	88
Document Holders	89
Room Dividers	90
Curtain Screens	92
Solid Screens	93



CTCHARM1/10/3S2D

## Caretray Trolley - Chart

### Features

- Standard level, single & double column easy clean fixed height chart trolleys
- Angle adjustable chartboard fitted with a spring clip (adjustable 0 - 50 degrees)
- Usable chart area...
  - Single Column - 500 x 530mm (w x h)
  - Double Column - 800 x 530mm (w x h)
- Lower lip on chartboard to support pens etc.
- Quick & easy disassembly, assists thorough & deep cleaning
- Fully welded mild steel frame, powder coated in a durable epoxy paint (requires no on-site assembly)
- Recyclable polypropylene one-piece side panels, smooth surfaces & radiused edges assists cleaning (compatible with steam cleaning)
  - Side Panels - Incorporate runners with positive stops preventing trays from being accidentally withdrawn (symmetrical design allows tray insertion from either side)
- Carerails fitted to either side (2 x L/H, 1 x R/H) support a wide range of accessories
- Drop down work flap fitted to R/H side
- Translucent, impact-resistant trays & dividers, smooth surfaces & radiused edges assists cleaning (compatible with steam cleaning / high temperature machine washing)
- Trays feature an integral handle with a plastic clip-on label cover (coloured labels supplied - white, blue, green, yellow & red)
- 100 / 150mm deep trays, can be subdivided in both length & width using removable dividers (max load 5kg)
- 2 x long & 2 x short dividers supplied with each tray
- 100mm pressed steel castors, 2 off braking

### Dimensions (w x d x h)

- Overall Dimensions
  - Single Column - 550 x 550 - 620 x 1040 - 1450mm
  - Double Column - 1010 x 550 - 620 x 1040 - 1450mm
- Usable Chart Area
  - Single Column - 500 x 530mm
  - Double Column - 800 x 530mm
- Work Flap - 420 x 290mm (w x d)
- Trays
  - Shallow Tray - 355 x 405 x 100mm (internal)
  - Deep Tray - 355 x 405 x 150mm (internal)

### Standard Colours

- Paint - White
- Chartboard / Work Flap - White

Item	Description	Weight
CTCHARM1/10/3S2D	3 x 100mm, 2 x 150mm Trays	33.2kg
CTCHARM1/10/4S1D	4 x 100mm, 1 x 150mm Trays	32.9kg

## Options / Accessories

- Carerail Mounted - page 68
- Laptop Holders - page 74
- Castors & Ring Buffers - page 76
- Trays, Shelves, Dividers & Labels - page 77



Angle adjustable chartboard (adjustable 0 - 50 degrees)



CTCHARM2/10/6S4D

Item	Description	Weight
CTCHARM2/10/6S4D	6 x 100mm, 4 x 150mm Trays	53.2kg
CTCHARM2/10/8S2D	8 x 100mm, 2 x 150mm Trays	51.2kg



CWF/80/SP

## Chart Workstations - Fixed Height

### Features

- Fixed height chart workstation
- Angle adjustable chartboard fitted with a spring clip (0 - 50 degrees)
- Usable chart area 800 x 530mm (w x h)
- Lower lip on chartboard to support pens etc.
- Fully welded mild steel frame, powder coated in a durable epoxy paint (requires no on-site assembly)
- Models available with
  - Chartboard only
  - Storage pocket
- Carerails fitted to each side of the trolley (2 x L/H, 1 x R/H) support a wide range of accessories
- Drop down work flap fitted to R/H side
- 100mm pressed steel castors, 2 off braking

### Dimensions (w x d x h)

- Overall Dimensions - 1010 x 550 - 620 x 1040 - 1450mm
- Usable Chart Area - 800 x 530mm
- Storage Pocket - 825 x 450 x 150mm (internal)
- Work Flap - 420 x 290mm (w x d)

### Standard Colours

- Paint - White
- Chartboard / Work Flap - White

Item	Description	Weight
CWF/80	Chart Workstation - Fixed Height	23.0kg
CWF/80/SP	Chart Workstation - Fixed Height, Storage Pocket	33.0kg

## Options / Accessories

- Carerail Mounted - page 68
- Castors & Ring Buffers - page 76



CWF/80



Angle adjustable chartboard (0 - 50 degrees)



CB/100/A

## Chart Workstations - Variable Height

### Features

- Height adjustable using a gas damper (795 - 1075mm)
- Angle adjustable chartboard fitted with spring clips (adjustable 0 - 90 degrees)
- Chartboard available in three sizes (w x h)
  - Small - 790 x 700mm
  - Medium - 790 x 800mm
  - Large - 790 x 900mm
- Lower lip on chartboard to support pens etc
- Slide out shelf at front
- Document storage pocket on side to accept patients notes, ring binders, etc
- 80mm swivel castors, 2 off braking

### Dimensions (w x d x h)

- Overall Dimensions - 800 x 700 / 800 / 900 x 1095mm
- Document Storage Pocket - 75 x 255 x 360mm (internal)

### Standard Colours

- Paint - White
- Chartboard - White

### Options / Accessories

- ZP010 - 100mm Ring Buffers

Item	Description	Weight
CB/100/A	700mm High Board	40.0kg
CB/100/B	800mm High Board	41.0kg
CB/100/C	900mm High Board	42.5kg

## Other products that you may be interested in...

See Pages 388 / 389







## Chart Boards - A4 & A3

### Features

- A4 one spring clip (holds one chart 220 x 280mm)
- A3 two spring clips (holds one chart 450 x 280mm or two charts 220 x 280mm)
- Available with a 30 or 50mm mild steel square hook

### Standard Colours

- White

Item	Description	Overall Dimensions (w x d x h)	Weight
<b>A4 Chart Board</b>			
CB005	A4, 30mm Hook	230 x 80 x 370mm	0.5kg
CB010	A4, 50mm Hook	230 x 100 x 370mm	0.5kg
<b>A3 Chart Board</b>			
CB015	A3, 30mm Hook	460 x 80 x 370mm	0.8kg
CB020	A3, 50mm Hook	460 x 100 x 370mm	0.8kg



DH/A3/50

Item	Description	Overall Dimensions (w x d x h)	Weight
<b>A4 Document Holder</b>			
DH/A4/WF	A4, Wall Fitting	280 x 70 x 400mm	1.4kg
DH/A4/50	A4, 50mm Hook	280 x 125 x 405mm	1.4kg
<b>A3 Document Holder</b>			
DH/A3/WF	A3, Wall Fitting	405 x 105 x 400mm	2.9kg
DH/A3/50	A3, 50mm Hook	405 x 160 x 405mm	3.0kg

## Document Holders - A4 & A3

### Features

- A4 size suitable for A4 ring binders or foolscap notes (pocket size 260 x 65mm)
- A3 size suitable for A3 notes & x-rays (pocket size 398 x 100mm)
- Open front design allows for easy patient identification
- Available for wall fitting or with a 50mm square hook

### Standard Colours

- Paint - Grey White



DH/A4/WF



RD1/D3/DD/D5

RD2L/D3/CP/D3

## Room Dividers

### Features

- Fixed height mobile room divider/workstation
- Ideal for use in critical care areas - A&E, ICU, ICT, HDU
- Modular design allows the unit to be configured to suit your specific requirements
- Frame, worktop & upstand/panel available as...
  - Full width upstand
  - Full width upstand & right hand mounted panel
  - Full width upstand & left hand mounted panel
  - Full width panel
- Four configurations of lower units...
  - Three drawer unit, upper drawer fitted with an electronic push button lock (2 x 170, 1 x 285mm drawers)
  - Five drawer unit, upper drawer fitted with an electronic push button lock (5 x 125mm drawers)
  - Cupboard with double doors & removable shelf
  - Cover panel (creates a space within the unit)
- Easy clean solid grade laminate work surface & up-stand/panel
- Upper panel fitted with
  - Triple glove box holder
  - Alcohol gel holder (compatible with 500ml bottles, 70 x 70 x 225mm)
  - Apron roll dispenser
- 100mm ring buffers to protect the fabric of the building
- 100mm swivel castors, 2 off braking

### Dimensions (w x d x h)

- RD1 - 1768 x 698 x 1000mm
- RD2R/RD2L - 1768 x 698 x 1588mm
- RD3 - 1768 x 698 x 1350mm

### Standard Colours

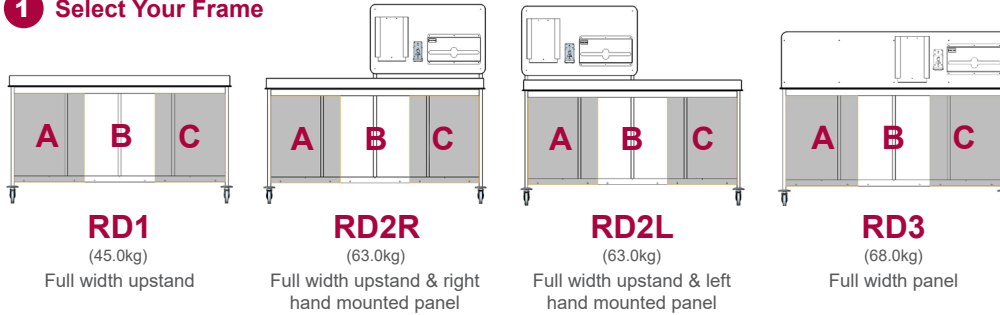
- Paint - White
- Worksurface / Up-Stand / Panel - White

### Options / Accessories

- CC - Colour coded drawers available on request
- DTSF/RD/450/2 - Dressing Trolley
  - Seamlessly welded 304 grade stainless steel frame
  - Fixed shelves with down turned sides
  - Shelf Heights 375 & 840mm
  - Max load per shelf 40kg

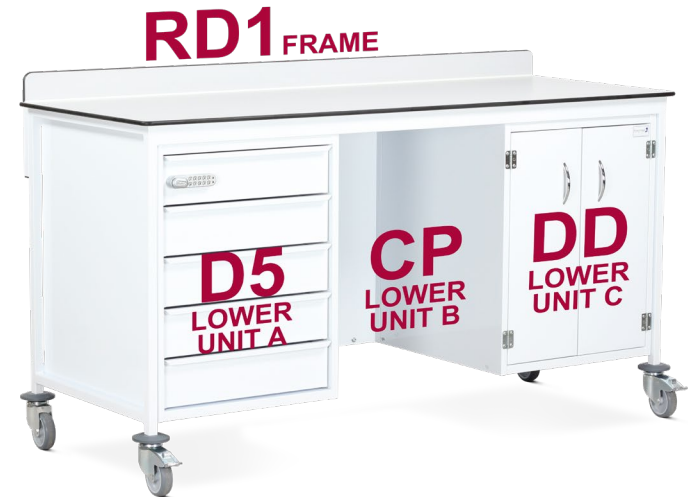
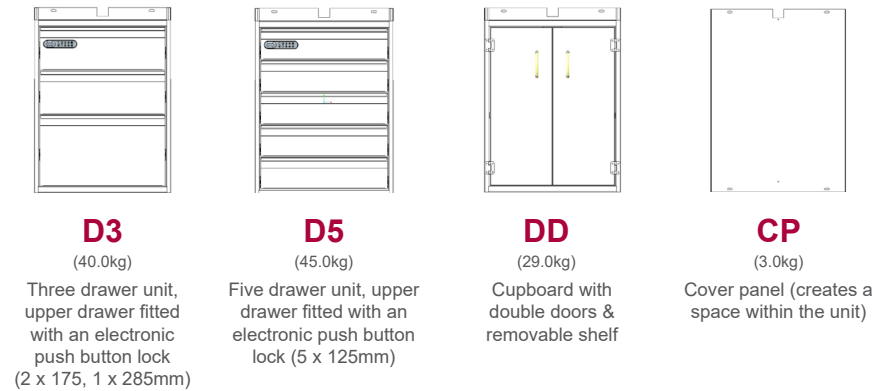
# Configure Your Workstation in Four Easy Steps...

## 1 Select Your Frame



RD3/DD/CP/D5/CC configured with DTSF/RD/450/2 & colour coded drawers

## 2 Select Lower Unit A    3 Select Lower Unit B    4 Select Lower Unit C





WSA/4/C

## Screen - Curtain, Four Section, Folding

### Features

- PVC fire retardant curtain (machine washable)
- Available assembled or for self-assembly
- Overall screen height 1708mm
- Distance from floor to lowest point of screening 288mm
- 50mm polypropylene / thermoplastic rubber twin-wheel non-marking castors

### Dimensions (w x d x h)

- Overall Dimensions - 2450 x 420 x 1790mm
- Folded - 650 x 420 x 1790mm

### Standard Colours

- Paint - White
- Curtain - Grey

### Spares

- WS/SPARES/001 - Set of 4 replacement curtains

Item	Description	Weight
WSA/4/C	Screen - Curtain, Four Section, Folding	14.6kg
WSK/4/C	Screen - Curtain, Four Section, Folding, Self-Assembly	14.6kg

# Screen - Solid, Three & Four Section, Folding

## Features

- Solid plastic screen
- Smooth surface to assist cleaning
- Overall screen height 1680mm
- Distance from floor to lowest point of screening 160mm
- 50mm polypropylene / thermoplastic rubber twin-wheel non-marking castors

## Dimensions (w x d x h)

- Overall Dimensions
  - Three Section - 1802 x 438 x 1680mm
  - Four Section - 2403 x 438 x 1680mm
- Folded - 600 x 438 x 1680mm

## Standard Colours

- Paint - Spearmint
- Screen - White



SS/44/H4



SS/44/H3

Item	Description	Weight
SS/44/H3	Screen - Solid, Three Section, Folding	20.6kg
SS/44/H4	Screen - Solid, Four Section, Folding	27.0kg