



# Sackholders & Waste Bins

Removable Body Bins	302
Free Standing Sackholders	307
Fixed Body Plastic Sackholders - Plastic	308
Removable Body Plastic Sackholders - Plastic	309

## Removable Body Bins - 20 / 50 Litre

### Features

- Premium range of removable body bins, fire retardant to HTM83
- Radiused corners to assist cleaning
- Captive drip tray to collect spills
- Positive bag retention through the use of a drop over clamp
- 'Hands free' design with recessed lid discourages opening by hand & encourage use of the pedal
- Stainless steel pedal & linkages
- Plastic feet to keep the unit clear of the floor
- Wheels fitted to rear of bin assist moving when cleaning
- Available with 'Colour Coding' to assist refuse identification (HTM07)
- Choice of construction...
  - Mild steel tubular frame & sheet metal body, painted for extra durability
  - 'Rust Free' stainless steel construction, painted for extra durability
- Silent closing versions are fitted with a gas damper to minimise noise when the lid closes

### Dimensions (w x d x h)

- 20 Litre - 267 x 346 x 552mm
- 50 Litre - 444 x 397 x 551mm

### Standard Colours

- Paint - Grey White



'Rust Free' versions are constructed from painted stainless steel (frame, body & lid)



BR015/WHL

### 20 Litre

Item	Description	Weight
BR015/WHL	Hands Free	8.5kg
BR020/WHL	Hands Free & Silent Closing	8.5kg
BR030/WHL	Hands Free, Rust Free & Silent Closing	8.5kg



Positive bag retention through the use of a drop over clamp



Gas damper used on silent closing bins



Raised flange & recessed lid used on hands free bins



BR045/WHL

Alternative lid colours are available. Change suffix 'WHL' on the product code with any of the following i.e. Removable Body Bin - 50ltr, Hands free with a green lid - BR045/**GNL**



### 50 Litre

Item	Description	Weight
BR045/WHL	Hands Free	11.5kg
BR050/WHL	Hands Free & Silent Closing	11.5kg
BR060/WHL	Hands Free, Rust Free & Silent Closing	11.5kg

## Removable Body Bins - 75 / 90 Litre

### Features

- Premium range of removable body bins, fire retardant to HTM83
- Radiused corners to assist cleaning
- Captive drip tray to collect spills
- Positive bag retention through the use of a drop over clamp
- 'Hands free' design with recessed lid discourages opening by hand & encourage use of the pedal
- Stainless steel pedal & linkages
- Plastic feet to keep the unit clear of the floor
- Wheels fitted to rear of bin assist moving when cleaning
- Available with 'Colour Coding' to assist refuse identification (HTM07)
- Choice of construction...
  - Mild steel tubular frame & sheet metal body, painted for extra durability
  - 'Rust Free' stainless steel construction, painted for extra durability
- Silent closing versions are fitted with a gas damper to minimise noise when the lid closes

### Dimensions (w x d x h)

- 75 Litre - 444 x 397 x 781mm
- 90 Litre - 444 x 397 x 910mm

### Standard Colours

- Paint - Grey White



'Rust Free' versions are constructed from painted stainless steel (frame, body & lid)



BR075/WHL

### 75 Litre

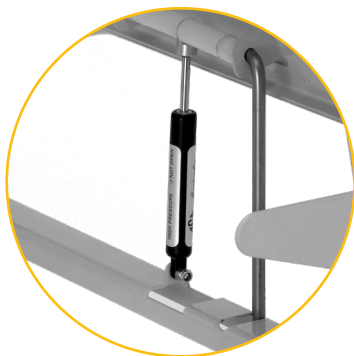
Item	Description	Weight
BR075/WHL	Hands Free	15.0kg
BR080/WHL	Hands Free & Silent Closing	15.0kg
BR090/WHL	Hands Free, Rust Free & Silent Closing	15.0kg

Alternative lid colours are available. Change suffix 'WHL' on the product code with any of the following i.e. Removable Body Bin - 75ltr, Hands free with a yellow lid - BR075/YEL





Positive bag retention through the use of a drop over clamp



Gas damper used on silent closing bins



Raised flange & recessed lid used on hands free bins



BR105/WHL

### 90 Litre

Item	Description	Weight
BR105/WHL	Hands Free	17.0kg
BR110/WHL	Hands Free & Silent Closing	17.0kg
BR120/WHL	Hands Free, Rust Free & Silent Closing	17.0kg

## Other products that you may be interested in...

See Pages 278 - 283

### General Purpose Trolleys



8MW2436-2CW



WT/37/3

## Free Standing Sackholders - 50 / 75 Litre

### Features

- Captive drip tray to collect spills
- Positive bag retention through the use of an elasticated cord
- Stainless steel pedal & linkages
- Plastic feet to keep the unit clear of the floor
- Wheels fitted to rear of bin assist moving when cleaning
- Available with 'Colour Coding' to assist refuse identification (HTM07)
- Mild steel tubular frame, painted for extra durability

### Dimensions (w x d x h)

- 50 Litre - 442 x 397 x 551mm
- 75 Litre - 442 x 397 x 780mm

### Standard Colours

- Paint - Grey White



BH015/WHL



BH030/WHL

Alternative lid colours are available. Change suffix 'WHL' on the product code with any of the following i.e. Free Standing Bag Holder - 50 Litre, Elastic Cord with black lid - BH015/BKL



Item	Description	Weight
BH015/WHL	Free Standing Sackholder - 50 Litre	7.0kg
BH030/WHL	Free Standing Sackholder - 75 Litre	7.5kg



## Fixed Body Sackholders - Plastic, 20 Litre

### Features

- Meets NHS England 'Managing Healthcare Fire Safety' (HTM-05-01)
- Plastic construction with no metal parts
- Smooth surfaces to assist cleaning
- One-piece plastic lid, available in a range of colours to assist refuse identification (HTM07)
- Soft closing lid
- Bag positively secured using a drop over sack retention ring

### Dimensions (w x d x h)

- Overall Dimensions - 350 x 220 x 660mm

### Standard Colours

- Body - White
- Lid - White

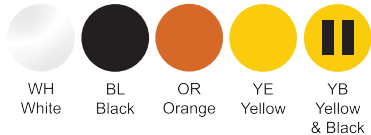
### Options

- Alternative Lid Colours - Black / Orange / Yellow / Yellow & Black
- Moulded In Graphics - Available on request



5FSH20WH

Alternative lid colours available. Change suffix 'WH' on the item no. with any of the following, i.e. Fixed Body Sackholder - Plastic, Silent Closing, 20 Litre with a black lid - 5FSH20BL



WH White  
BL Black  
OR Orange  
YE Yellow  
YB Yellow & Black

Item	Description	Weight
5FSH20WH	Fixed Body Sackholder - Plastic, Silent Closing, 20 Litre	3.0kg

## Removable Body Sackholders - Plastic, 42 & 70 Litre

### Features

- Meets NHS England 'Managing Healthcare Fire Safety' (HTM-05-03)
- One-piece removable body
- Plastic construction with no metal parts
- Smooth surfaces to assist cleaning
- One-piece plastic lid, available in a range of colours to assist refuse identification (HTM07)
- Soft operating lid on both opening & closing (moving parts enclosed)
- Recessed drip tray to collect unwanted spills
- Bag positively secured using a drop over sack retention ring
- Non-marking rubber feet prevents the bin from sliding
- Wheels fitted to rear of bin assist moving when cleaning

### Dimensions (w x d x h)

- 42 Litre - 460 x 420 x 580mm
- 70 Litre - 460 x 450 x 790mm

### Standard Colours

- Body - White
- Lid - White

### Options

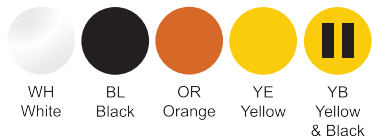
- Alternative Lid Colours - Black / Orange / Yellow / Yellow & Black
- Moulded In Graphics - Available on request



5RSR42WH

5RSR70WH

Alternative lid colours available. Change suffix 'WH' on the item no. with any of the following, i.e. Fixed Body Sackholder - Plastic, Silent Closing, 42 Litre with a black lid - 5FSH20BL



Item	Description	Weight
5RSR42WH	Removable Body Sackholder - Plastic, Silent Closing, 42 Litre	8.0kg
5RSR70WH	Removable Body Sackholder - Plastic, Silent Closing, 70 Litre	9.0kg